

**FEATURES**

- Single washbasin made of pressure-cast fireclay.
- Cata-glaze, lifetime treatment. A total bacteria-proof barrier.
- Install wall-hung or on pedestal.
- 1 up to 3 faucet holes. Must specify number of holes and hole position.

**OPTIONS**

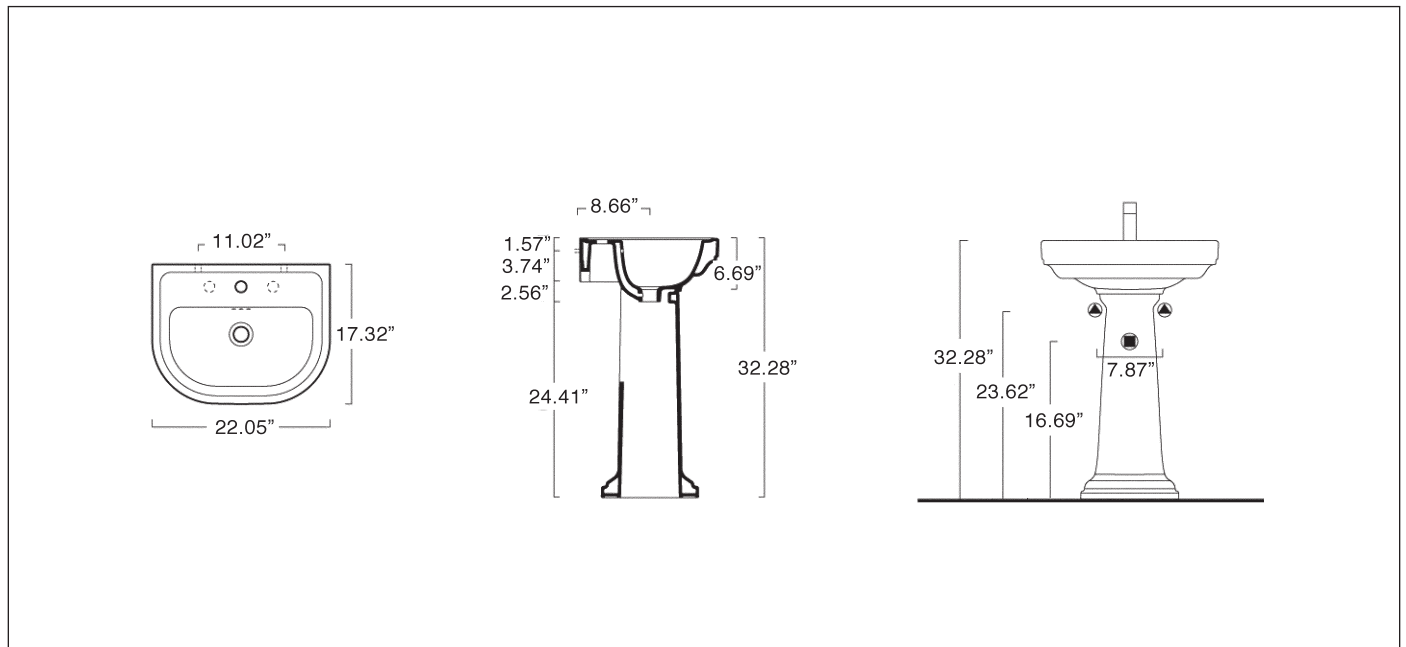
- 5P56CV Front Towel Rail constructed of brass with chrome finish.
- 1COCV Pedestal pressure-cast fireclay. W11.81" x H26" Ship Wt: 31 lbs

**SIZE:** W22.05" x D17.32" x H7.87"

**SHIP WEIGHT:** 37.5 lbs.

**To Be Specified:**

|                          | Model No. | Color |
|--------------------------|-----------|-------|
| <input type="checkbox"/> | 156CV00   | White |



**CANOVA ROYAL**